

1 OVERALL BUILDING PLAN
1" = 20'-0"

ROUTE 33 MILLSTONE

BLOCK Z3, LOT 3
TOWNSHIP OF MILLSTONE, MONMOUTH COUNTY, NJ

Licensee Name: SEAN D. NAEGER
Discipline: Registered Architect
License Registration No.: 21A02179200
Registration Expires: 07/31/23

Sean D. Naeger

3.4.2022

The Professional Architect's seal affixed to this sheet indicates that the named Architect has prepared or directed the preparation of the material shown only on this sheet. Other drawings and documents not exhibiting this seal shall not be considered prepared by or the responsibility of the undersigned.

REVISION:	
1	REV 1 3.4.2022

Sheet Issue Date:	
Job Number:	21075.00
Drawn By:	KW/AB
Checked By:	TM
Drawing Title:	

BUILDING OVERALL FLOOR PLAN

PB-01

ELEVATION GENERAL NOTES

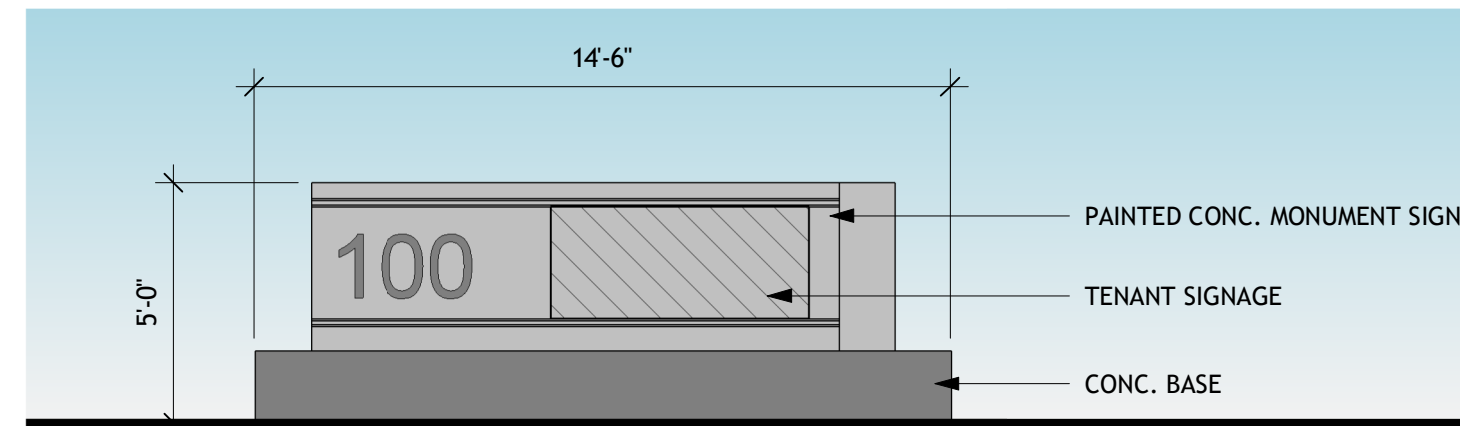
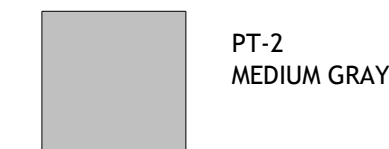
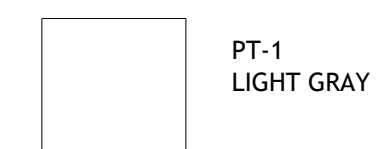
1. BUILDING HEIGHT TO BE 32.9' AS CALCULATED PER TOWNSHIP ORDINANCE.

MATERIALS LEGEND

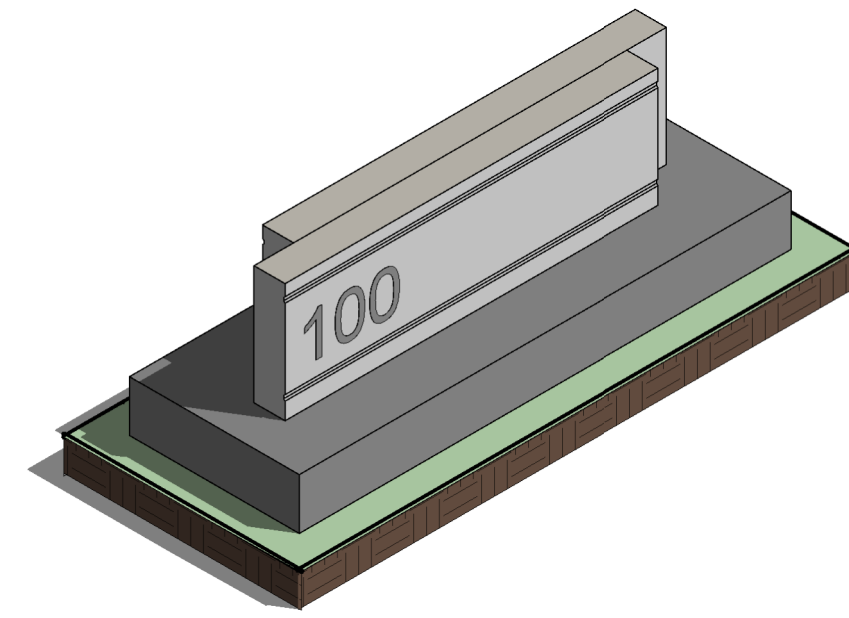
GLASS AND GLAZING



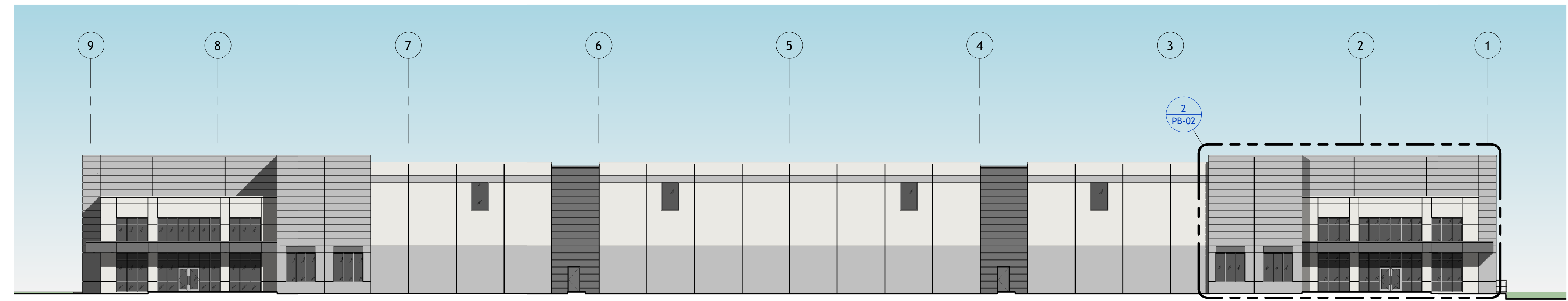
PAINTED CONCRETE WALL PANELS



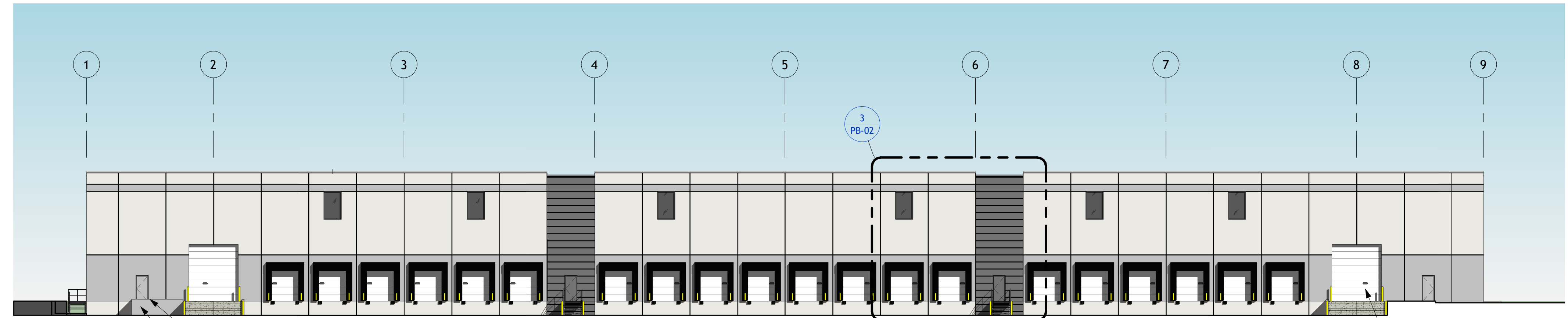
9 MONUMENT SIGN ELEVATION
1/4" = 1'-0"



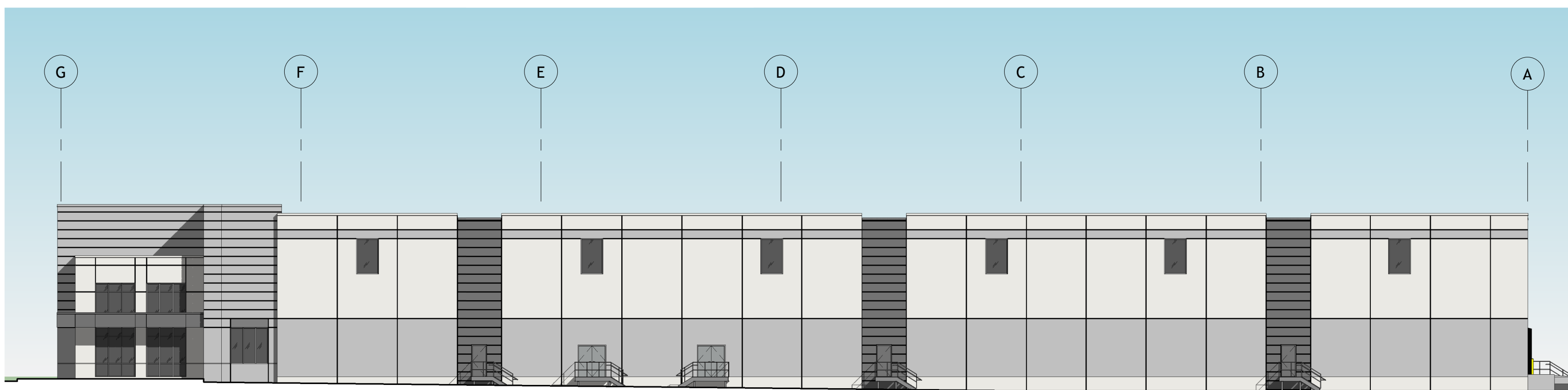
8 3D MONUMENT VIEW



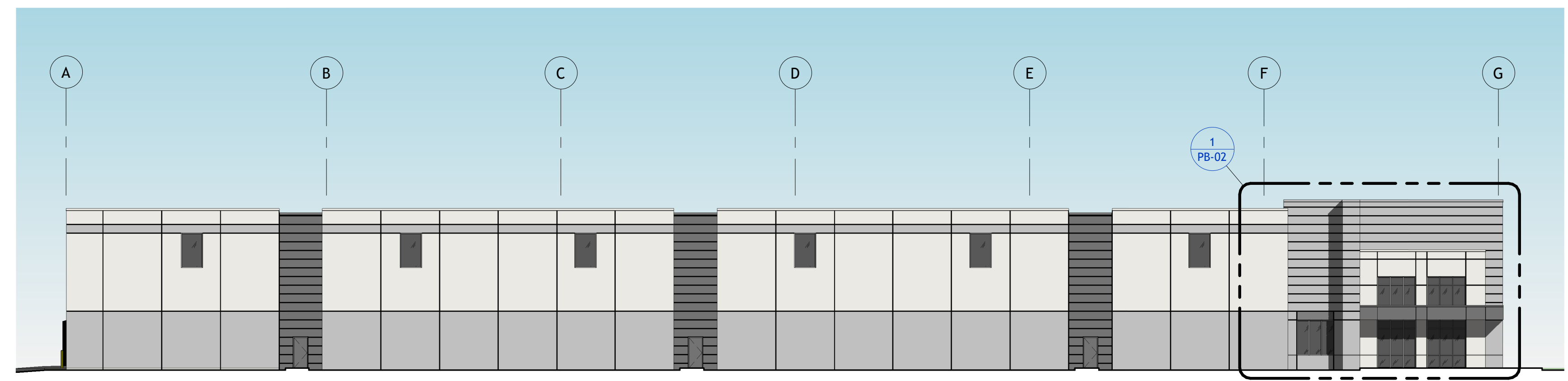
7 NORTH ELEVATION
1" = 20'-0"



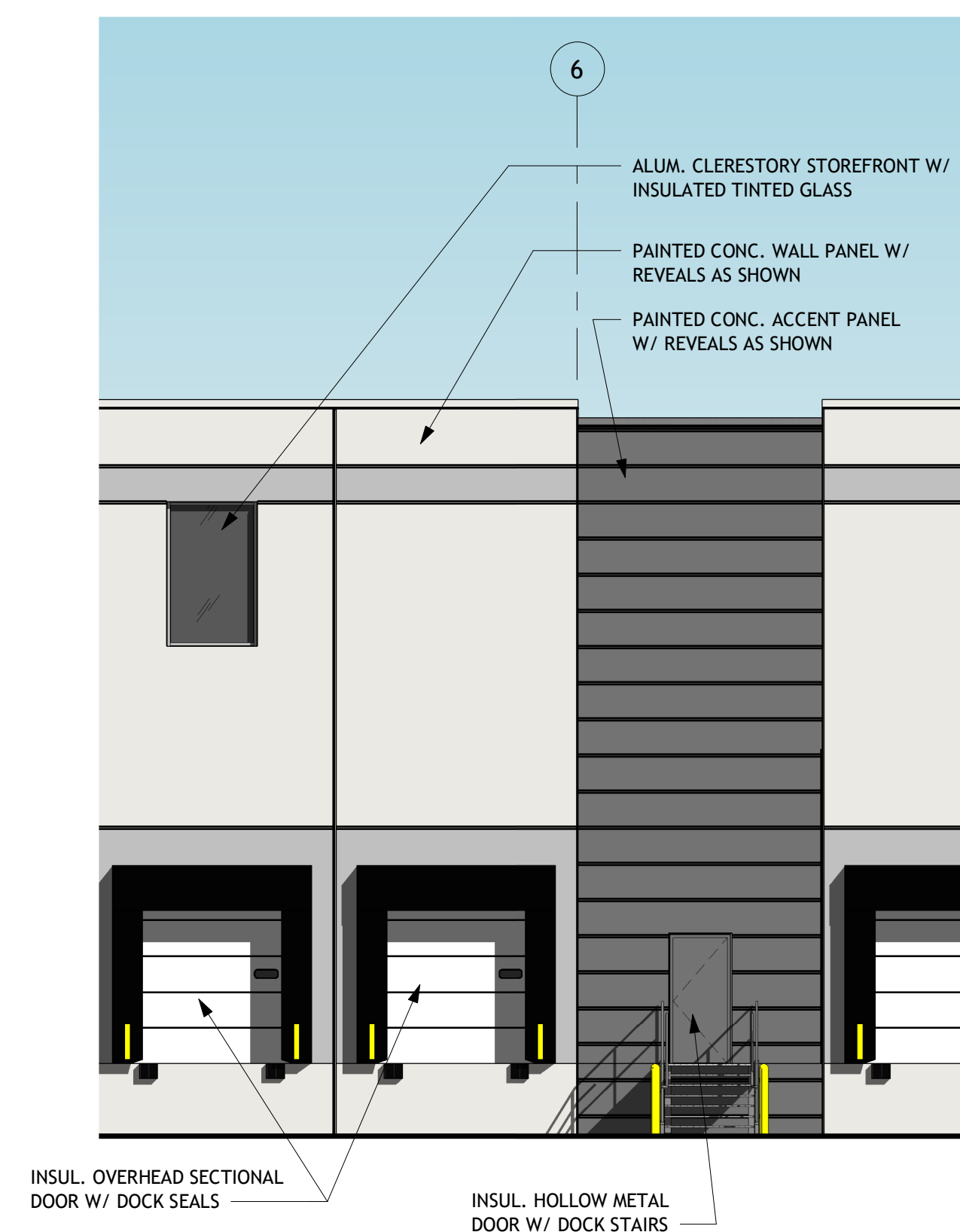
6 SOUTH ELEVATION
1" = 20'-0"



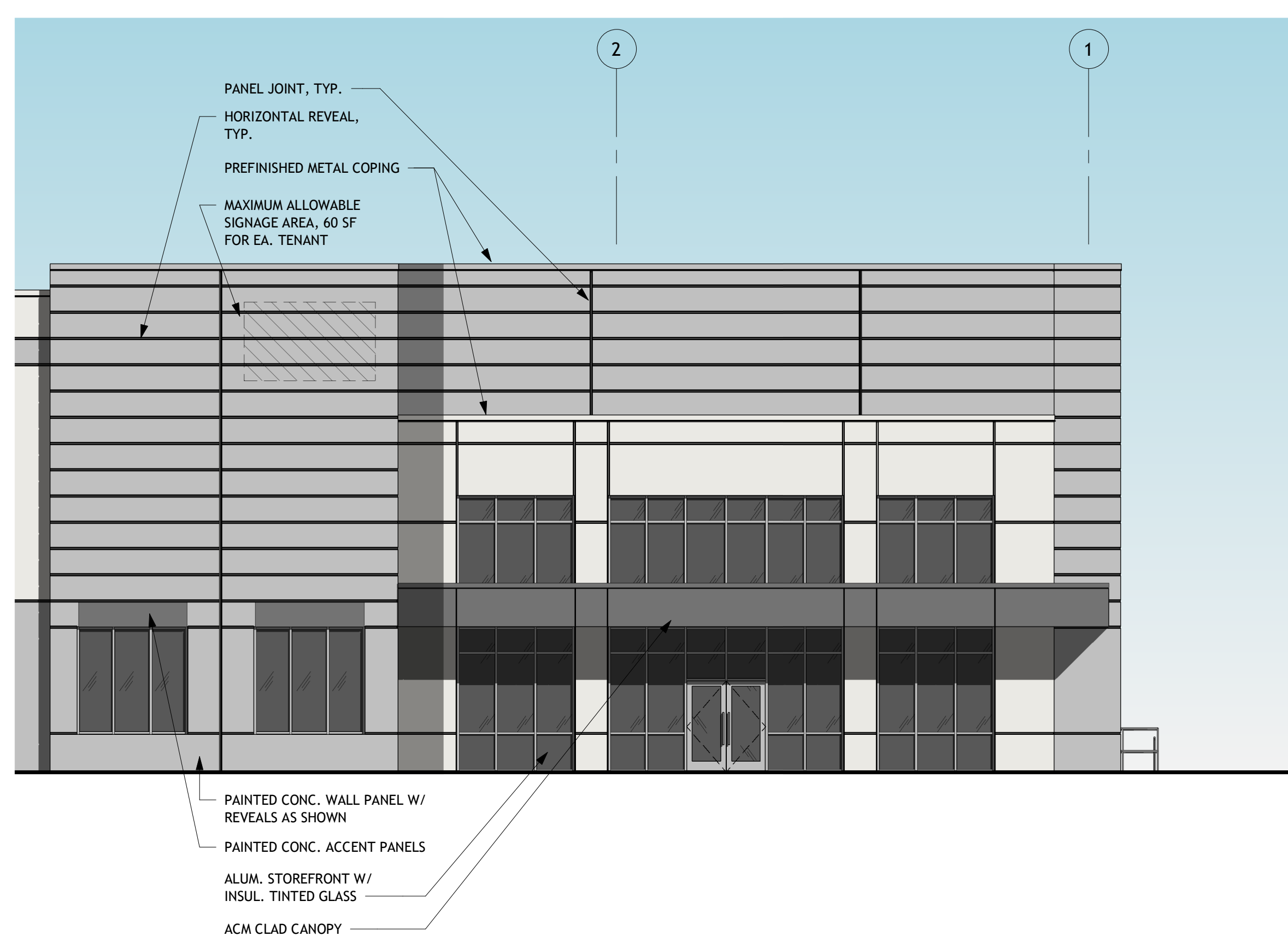
5 WEST ELEVATION
1" = 20'-0"



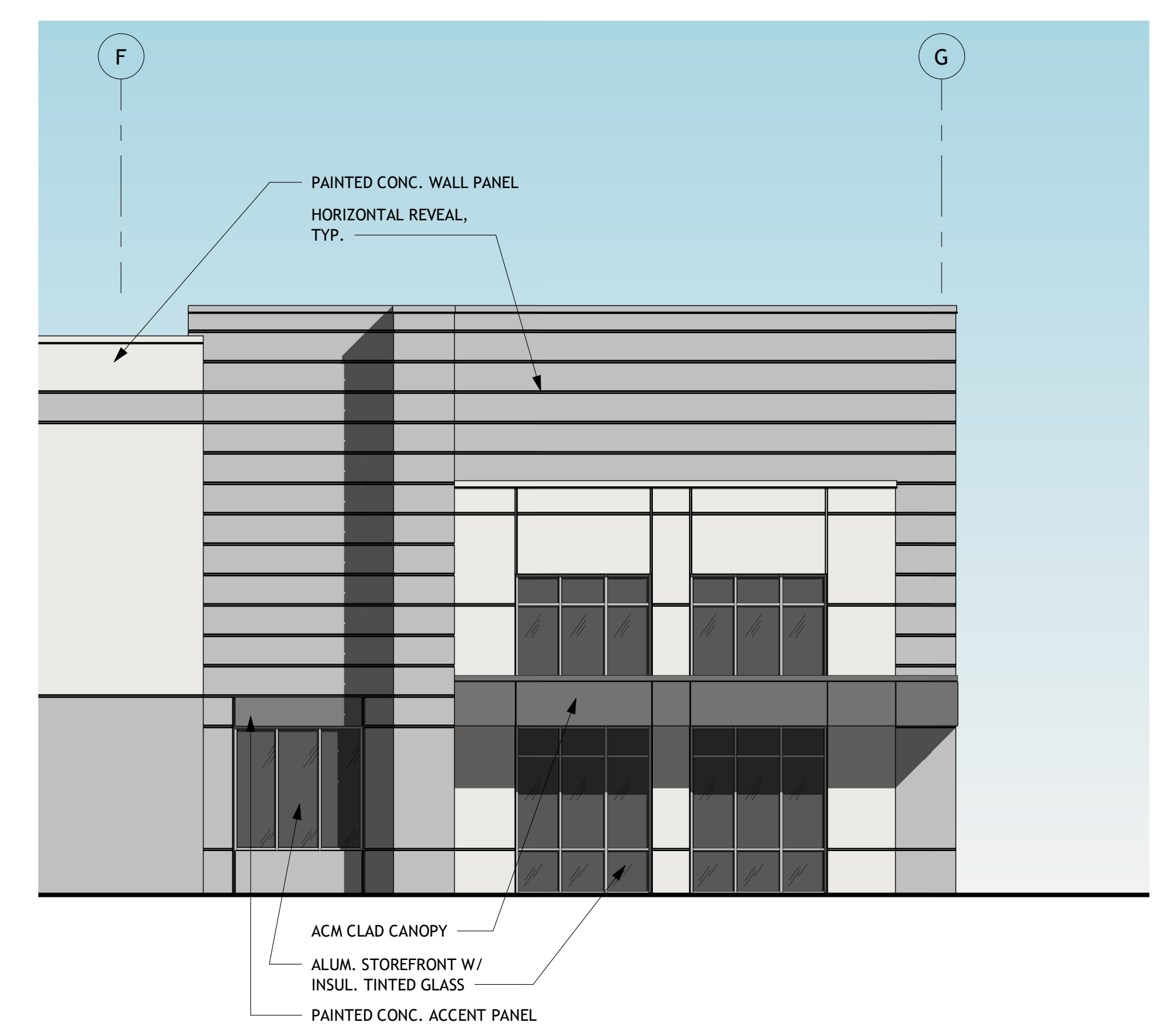
4 EAST ELEVATION
1" = 20'-0"



3 ENLARGED DOCK ELEVATION
1/8" = 1'-0"



2 ENLARGED ENTRANCE ELEVATION 2
1/8" = 1'-0"



1 ENLARGED ENTRANCE ELEVATION 1
1/8" = 1'-0"

Sean D. Naeger

3.4.2022

The Professional Architect's seal affixed to this sheet indicates that the named Architect has prepared or directed the preparation of the material shown only on this sheet. Other drawings and documents not exhibiting this seal shall not be considered prepared by or the responsibility of the undersigned.

REVISION:	
1	REV 1 3.4.2022

Sheet Issue Date:	-
Job Number:	21075.00
Drawn By:	KW/AB
Checked By:	TM
Drawing Title:	

BUILDING ELEVATIONS