

AA Branchburg - Bldg A

TOWNSHIP OF BRANCHBURG, NEW JERSEY



Licensee Name: SEAN D. NAEGER
Discipline: Registered Architect
License Registration No.: 21A02179200
Registration Expires: 07/31/23

Sean D. Naeger

11/11/2022

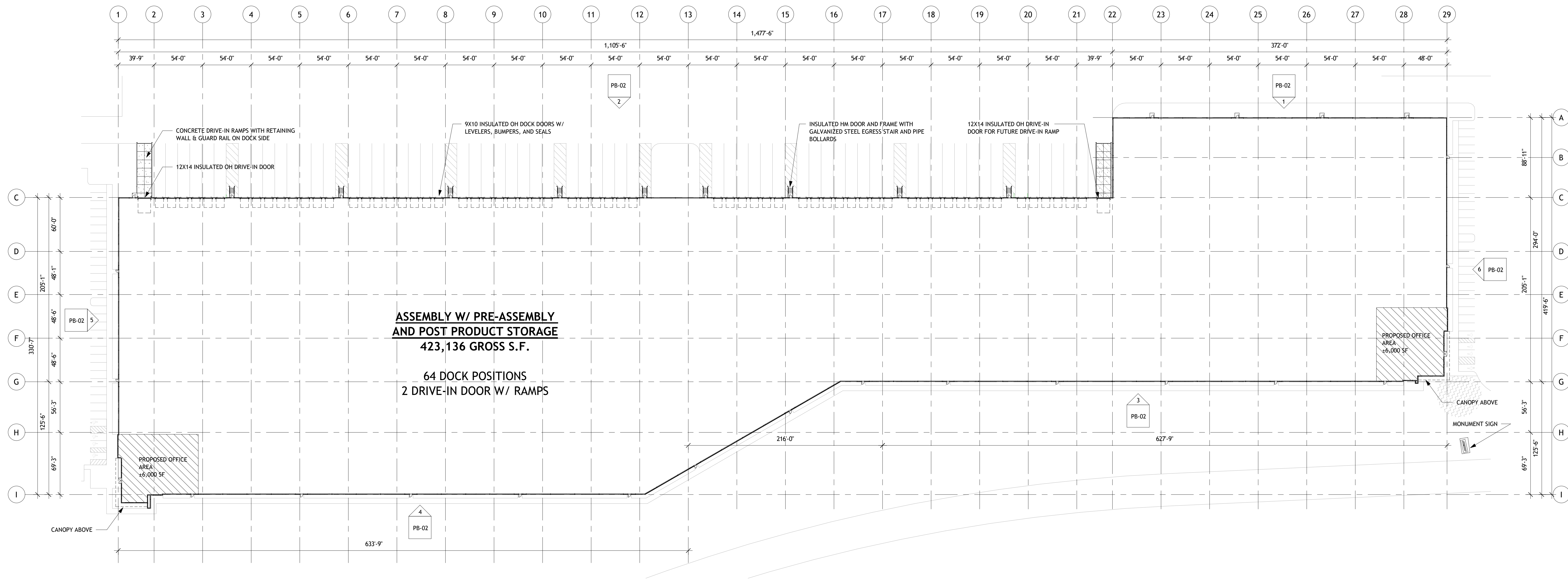
The Professional Architect's seal affixed to this sheet indicates that the named Architect has prepared or directed the preparation of the material shown only on this sheet. Other drawings and documents not exhibiting this seal shall not be considered prepared by or the responsibility of the undersigned.

REVISION:	1	REV 1	11-11-2022

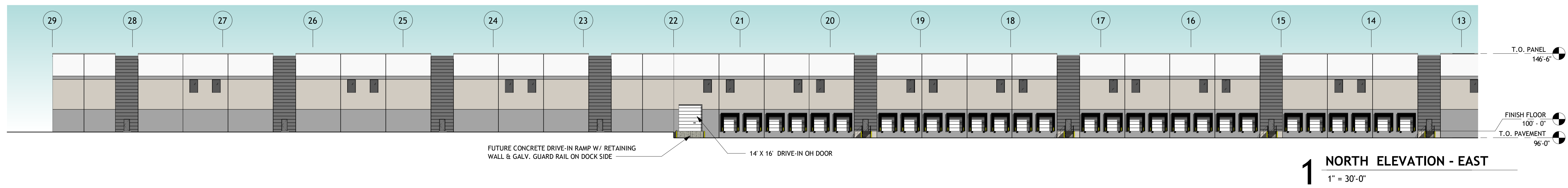
Sheet Issue Date:	
Job Number:	P20051.10
Drawn By:	ST, KW
Checked By:	TM
Drawing Title:	

BUILDING AN OVERALL FLOOR PLAN

PB-01



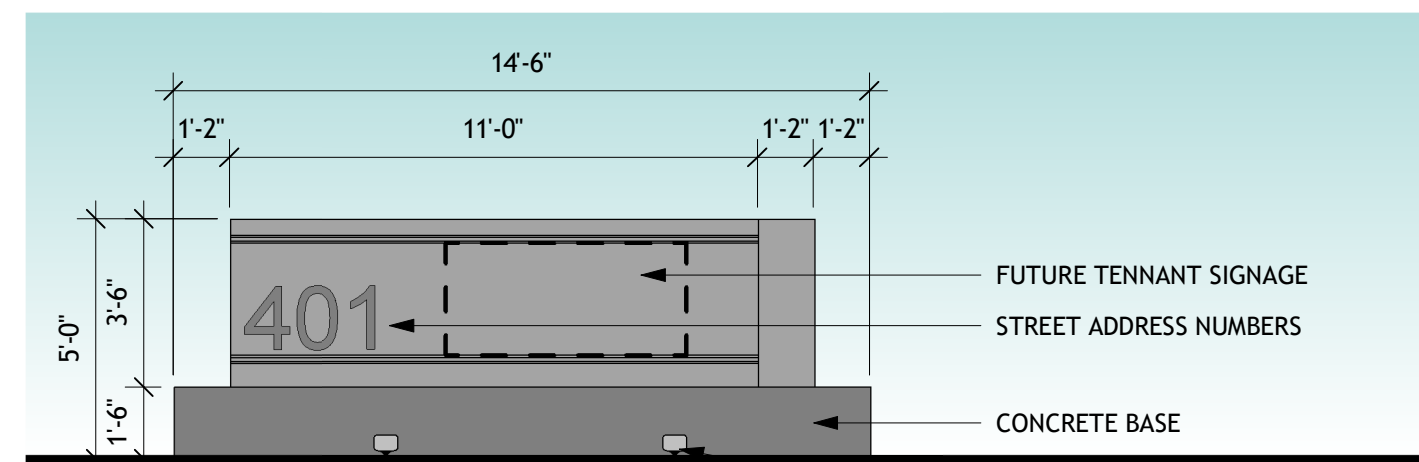
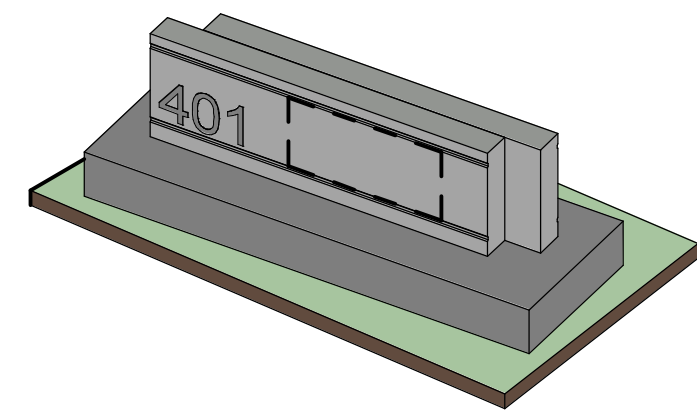
1 OVERALL FLOOR PLAN
1" = 50'-0"



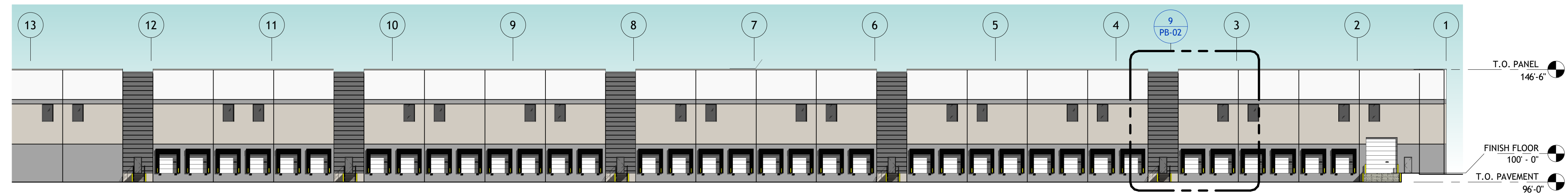
1 NORTH ELEVATION - EAST
1" = 30'-0"

GLAZING AREA

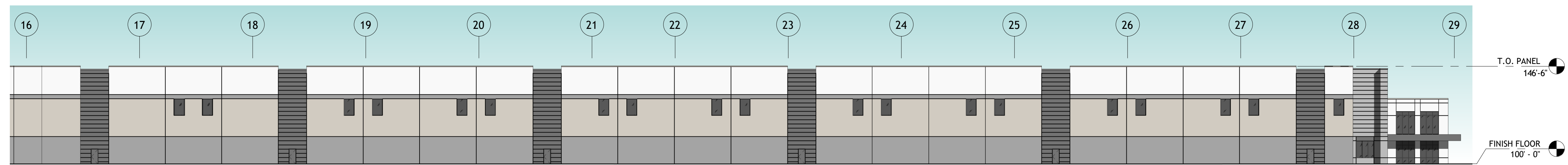
SUBMISSION DATE	SF WALL AREA	SF GLAZING AREA	TOTAL AREA
11/12/21	169,551	3,536	173,146
10/04/22	166,526	6,620	173,146



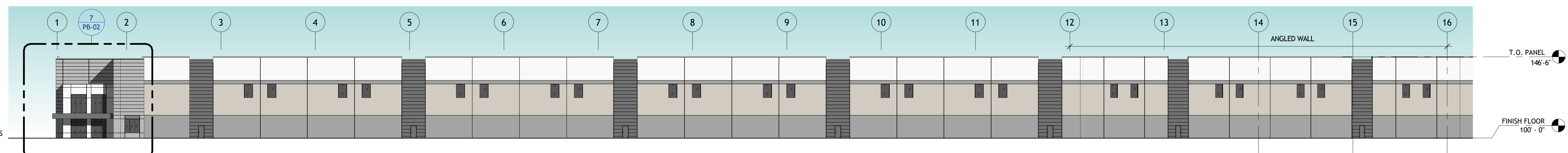
10 MONUMENT SIGN
1/4" = 1'-0"



2 NORTH ELEVATION - WEST
1" = 30'-0"



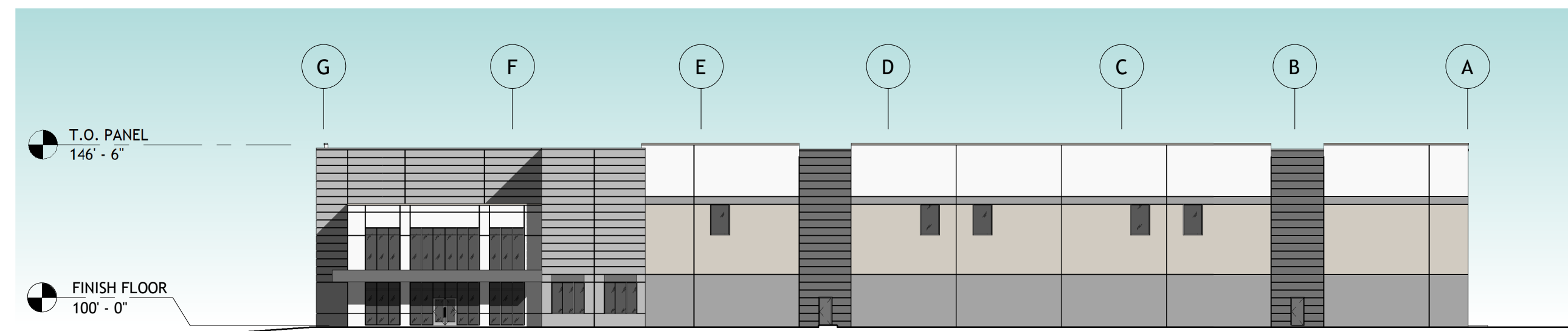
3 SOUTH ELEVATION - EAST
1" = 30'-0"



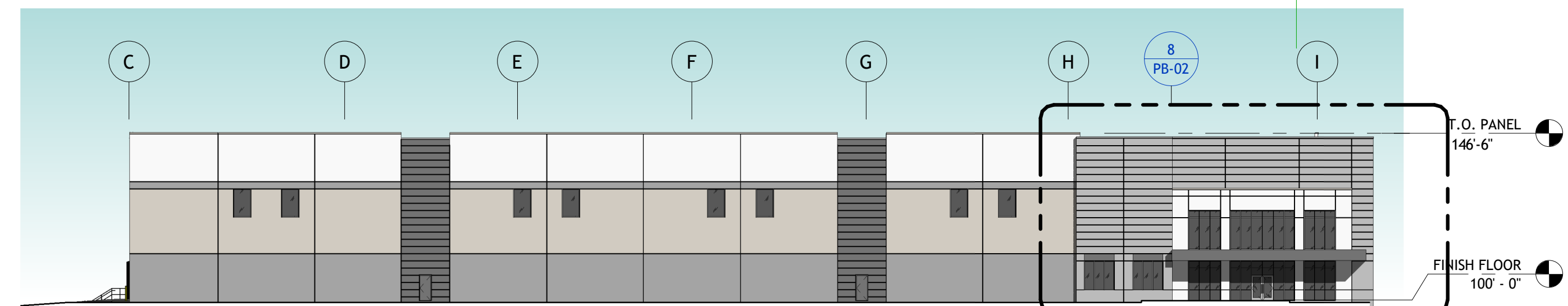
4 SOUTH ELEVATION - WEST
1" = 30'-0"

MATERIALS LEGEND

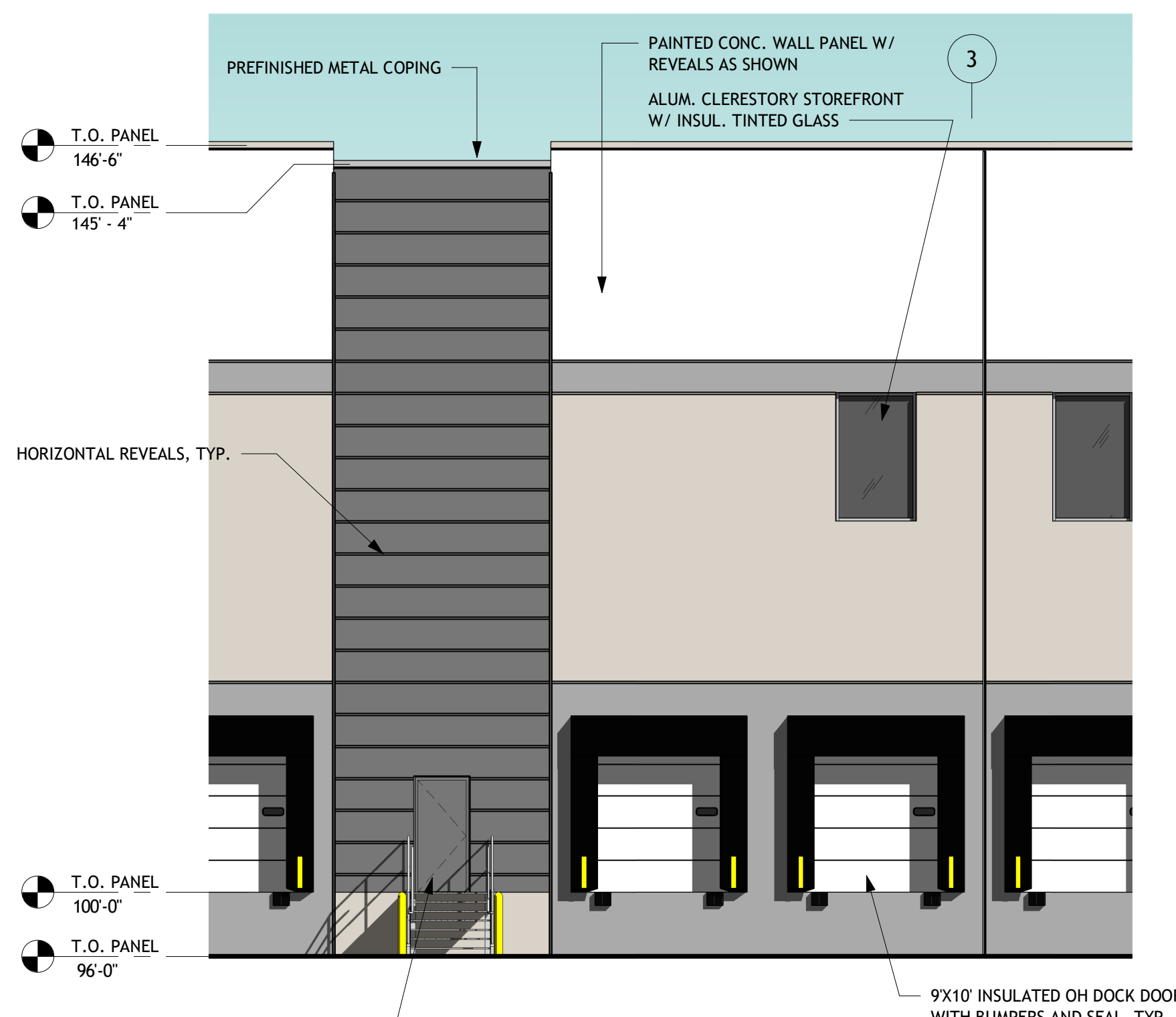
- PAINTED CONCRETE WALL PANELS**
- PT-1 LIGHT GRAY
 - PT-2 MEDIUM GRAY
 - PT-3 DARK GRAY
 - PT-4 OFFICE PANELS
 - PT-5 ACCESS PANELS
- GLASS AND GLAZING**
- VISION GLASS
 - SPANDREL GLASS



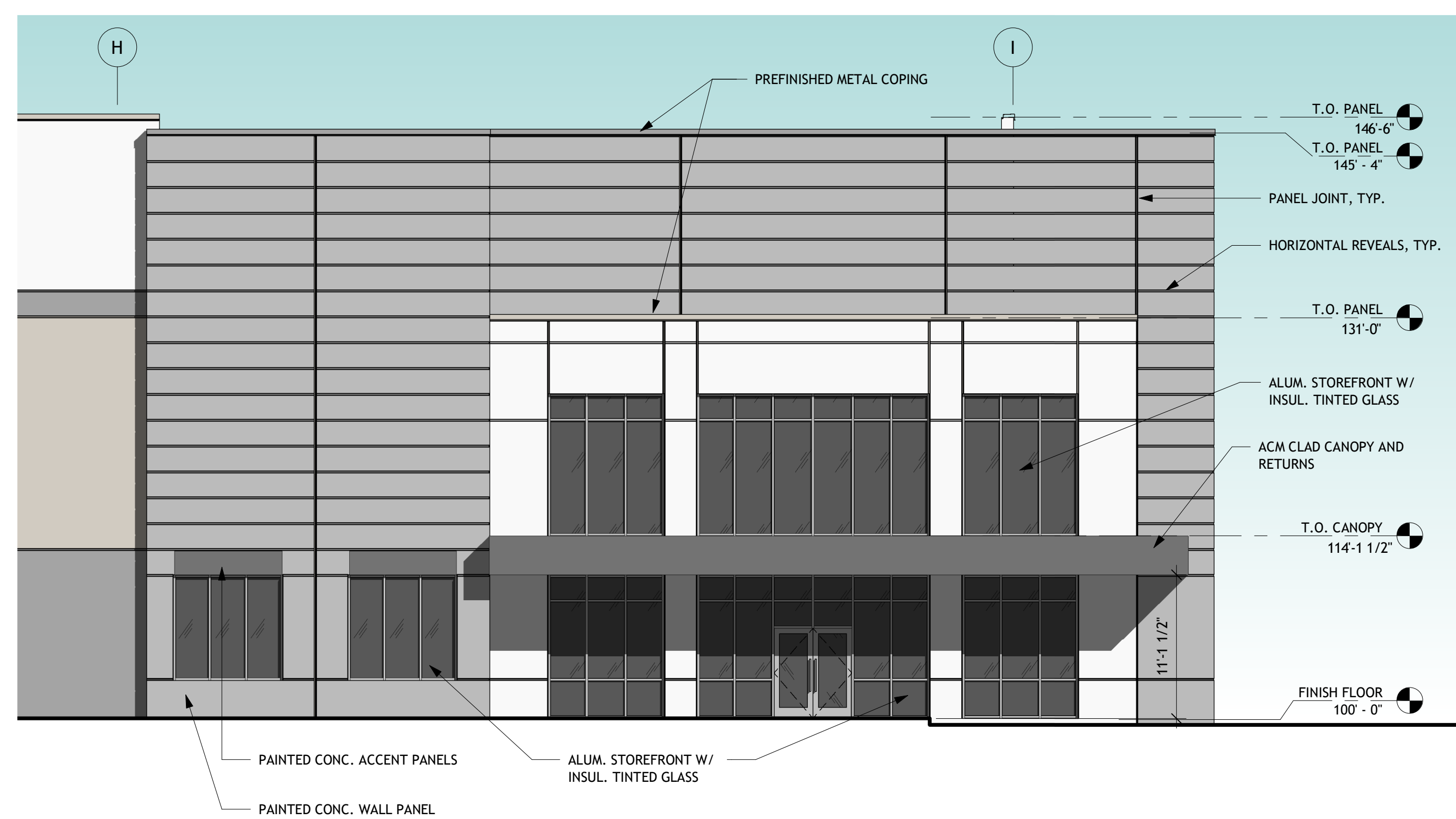
6 EAST ELEVATION
1" = 30'-0"



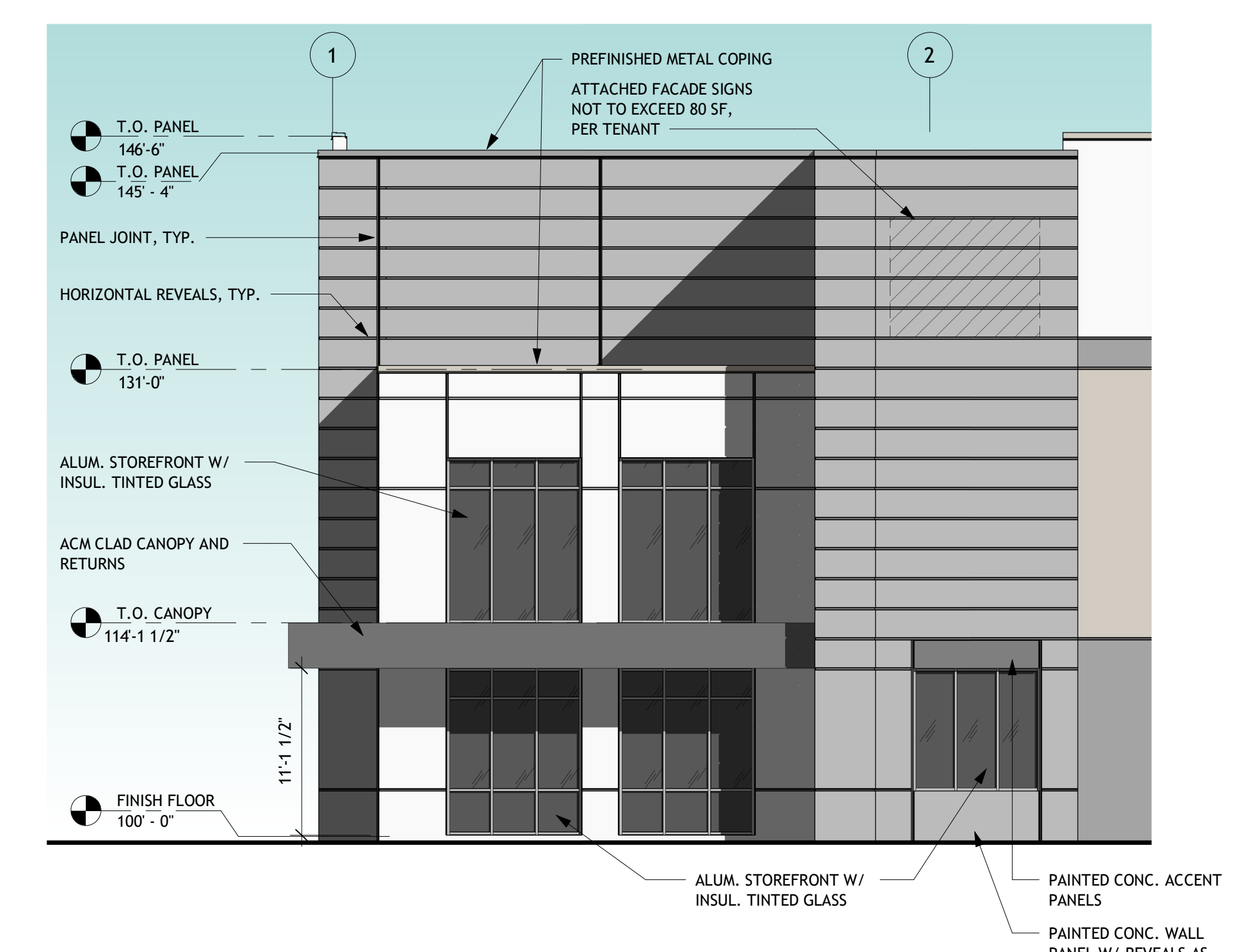
5 WEST ELEVATION
1" = 30'-0"



9 ENLARGED DOCK ELEVATION
1/8" = 1'-0"



8 ENLARGED ENTRY ELEVATION
1/8" = 1'-0"



7 ENLARGED OFFICE ELEVATION
1/8" = 1'-0"



Licensee Name: SEAN D. NAEGER
Discipline: Registered Architect
License Registration No.: 21A02179200
Registration Expires: 07/31/23

Sean D. Naeger

11/11/2022

The Professional Architect's seal affixed to this sheet indicates that the named Architect has prepared or directed the preparation of the material shown only on this sheet. Other drawings and documents not exhibiting this seal shall not be considered prepared by or the responsibility of the undersigned.

REVISION:

NO.	DESCRIPTION	DATE
1	REV 1	11-11-2022

Sheet Issue Date:
Job Number: P20051.10
Drawn By: AB
Checked By: TM
Drawing Title:

BUILDING A ELEVATIONS

PB-02